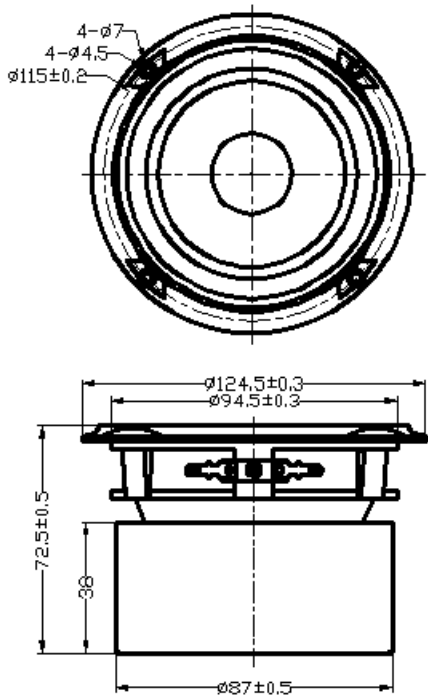


# 5" MID-Woofer



# Model :HR124B8-10L



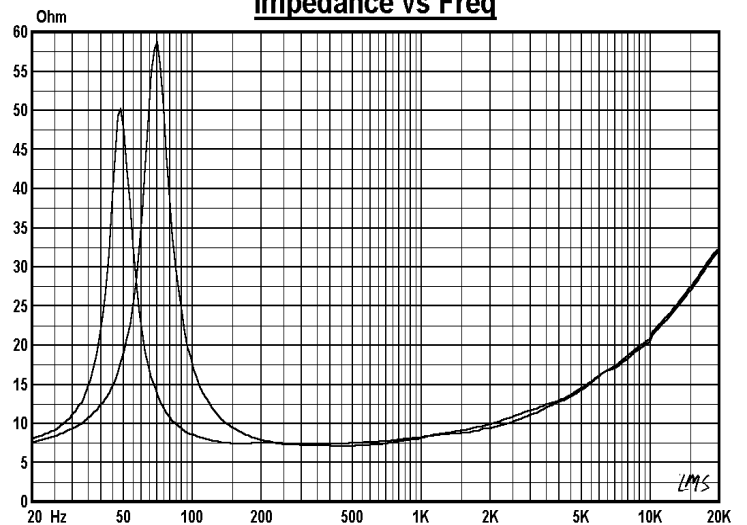
## Specifications & Thiele/Small Parameter

Impedance	: 8 Ohm
Minimum Frequency Response	: 70Hz
Reproduction Frequency Response	: Fo~12K
S.P.L.	: 88.926 dB/W(m)
Rated Input	: 20 W
Music Power	: 30 W
Equivalent Diaphragm Radius	: 43 mm
Equivalent Mass	: 5.349 g
Magnet Weight	: 500g
Net Weight	: 1065g
Fs	: 70.29Hz
Re	: 6.2 Ohm
Mms	: 5.753 g
BL	: 5.398 TM
Qts	: 0.479
Qms	: 4.186
Qes	: 0.541
Vas	: 7.898 Ltr
Xmax	: 2 mm
no	: 0.491%
Material	Frame : Cast
	Cone : Wooden
	Surround : RUBBER
	Damper : CONEX
	VC DIA : 1"
Magnet	: 11.1 oz 6.4oz

**SPL vs Freq**



**Impedance vs Freq**



**OEM & ODM WELCOME**

**GUI-SOUND ELECTRONICS INDUSTRIAL CO.,LTD**

**<http://www.gui-sound.com> E-mail: [sales@gui-sound.com](mailto:sales@gui-sound.com)**