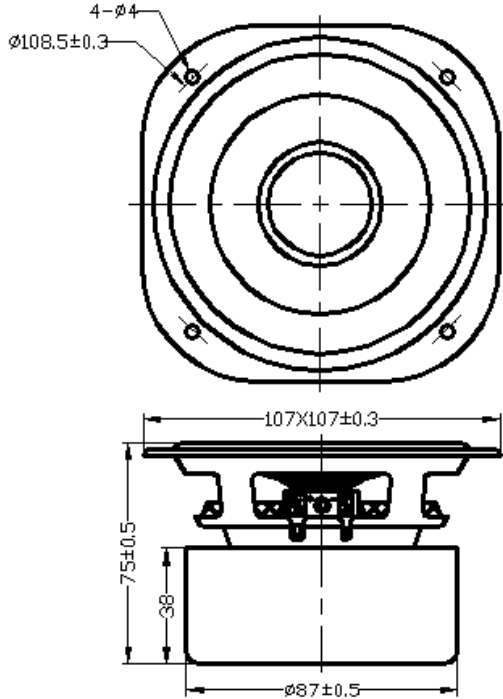


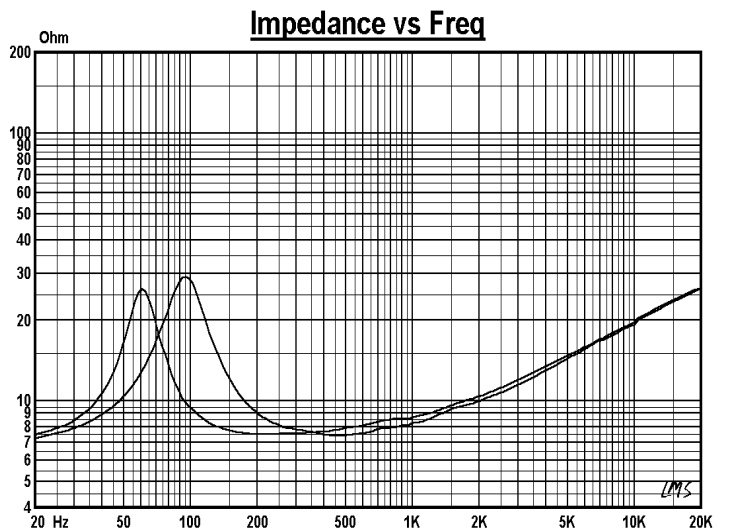
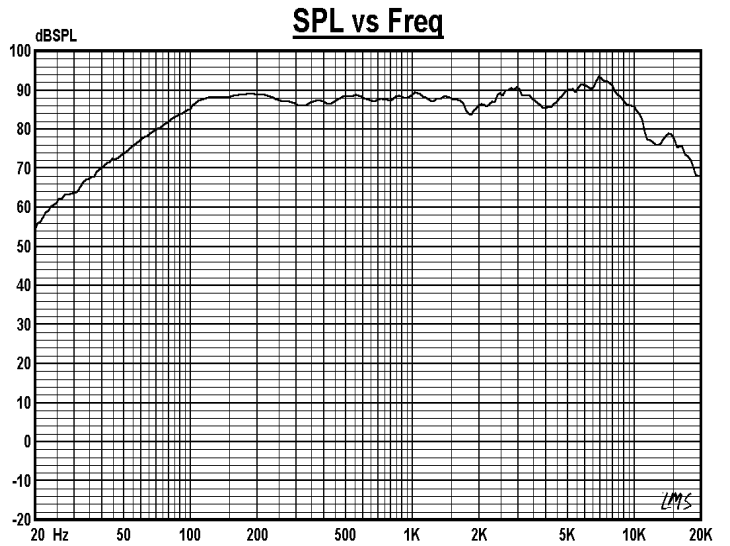
4" SHIELDED MID-Woofer

MODEL:HB107B8-11L



Specifications & Thiele/Small Parameters

| | |
|---------------------------------|----------------------|
| Impedance | : 8 Ohm |
| Minimum Frequency Response | : 100Hz |
| Reproduction Frequency Response | : Fo~16K |
| S.P.L. | : 88.673 dB/W(m) |
| Rated Input | : 15W |
| Music Power | : 25 W |
| Equivalent Diaphragm Radius | : 41 mm |
| Equivalent Mass | : 5.106 g |
| Magnet Weight | : 372 g |
| Net Weight | : 1030 g |
| Fs | : 102.981 Hz |
| Re | : 6.8 Ohm |
| Mms | : 5.428 g |
| BL | : 5.917 TM |
| Qts | : 0.517 |
| Qms | : 2.339 |
| Qes | : 0.659 |
| Vas | : 2.889 Ltr |
| Xmax | : 1.5 mm |
| no | : 0.463 % |
| Material | Frame : Fe |
| | Cone : PAPER COATING |
| | Surround : RUBBER |
| | Damper : COTTON |
| | VC DIA : 1" |
| Magnet | : 12.8OZ 7.9OZ |



OEM& ODM WELCOME
 GUI-SOUND ELECTRONICS INDUSTRIAL CO.,LTD
<http://www.gui-sound.com> E-mail: sales@gui-sound.com