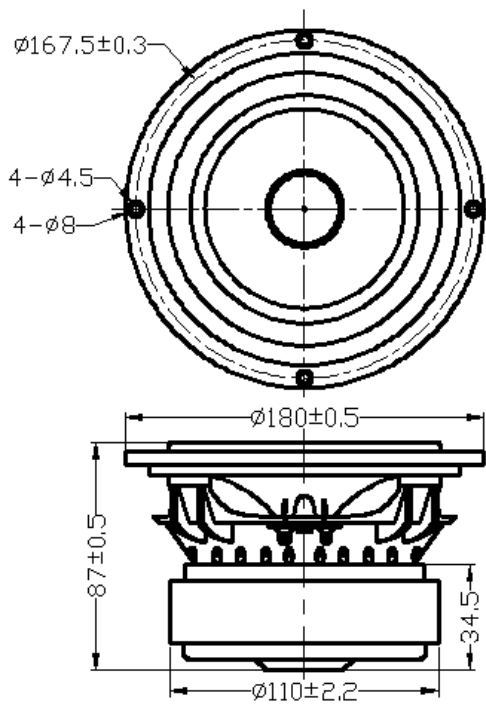


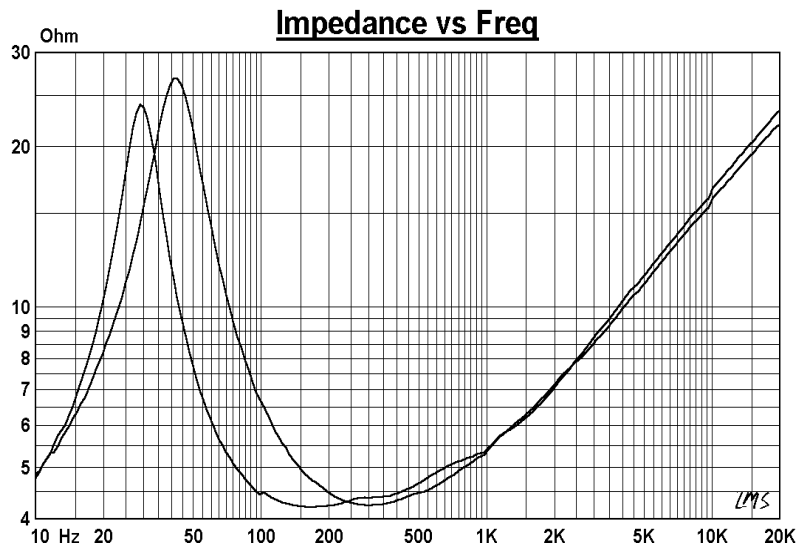
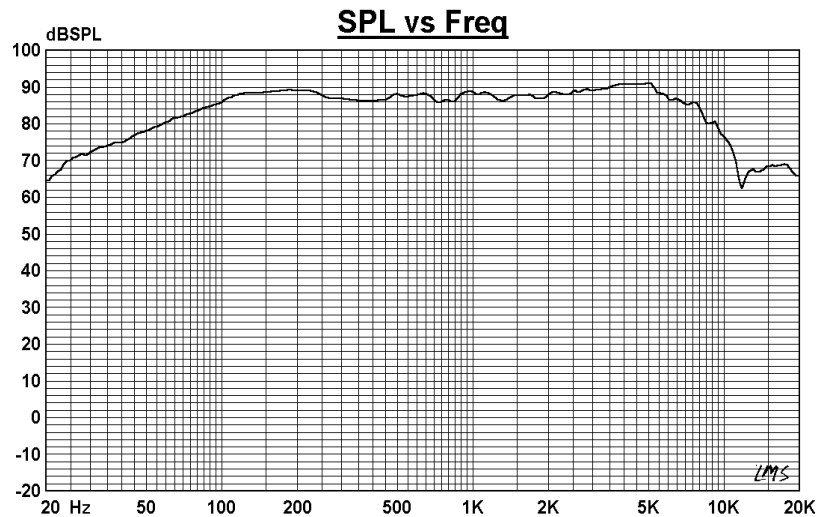
7" MID-Woofer

Model :FR180B4-16L



Specifications & Thiele/Small Parameters

| | |
|---------------------------------|----------------------|
| Impedance | : 4 Ohm |
| Minimum Frequency Response | : 42 Hz |
| Reproduction Frequency Response | : Fo~9K |
| S.P.L. | : 88.0 dB/W(m) |
| Rated Input | : 30 W |
| Music Power | : 40 W |
| Equivalent Diagram Radius | : 66 mm |
| Equivalent Mass | : 17.055 g |
| Magnet Weight | : 672 g |
| Net Weight | : 1780 g |
| Fs | : 42.008Hz |
| Re | : 3.6 Ohm |
| Mms | : 17.898 g |
| BL | : 7.085TM |
| Qts | : 0.29 |
| Qms | : 1.994 |
| Qes | : 0.339 |
| Vas | : 18.952 Ltr |
| Xmax | : 4.5 mm |
| no | : 0.401% |
| Material | Frame : ABS |
| | Cone : PAPER COATING |
| | Surround : RUBBER |
| | Damper : CONEX |
| | VC DIA : 1.5" |
| Magnet | : 23.7 oz |



OEM & ODM WELCOME

GUI-SOUND ELECTRONICS INDUSTRIAL CO., LTD

<http://www.gui-sound.com> E-mail: sales@gui-sound.com