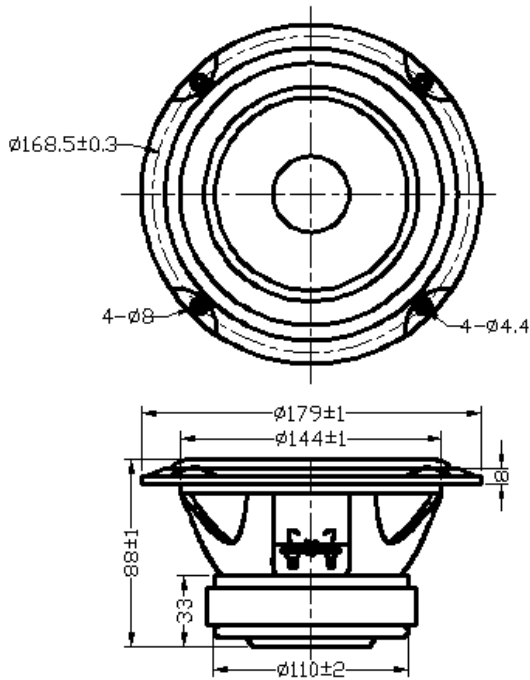


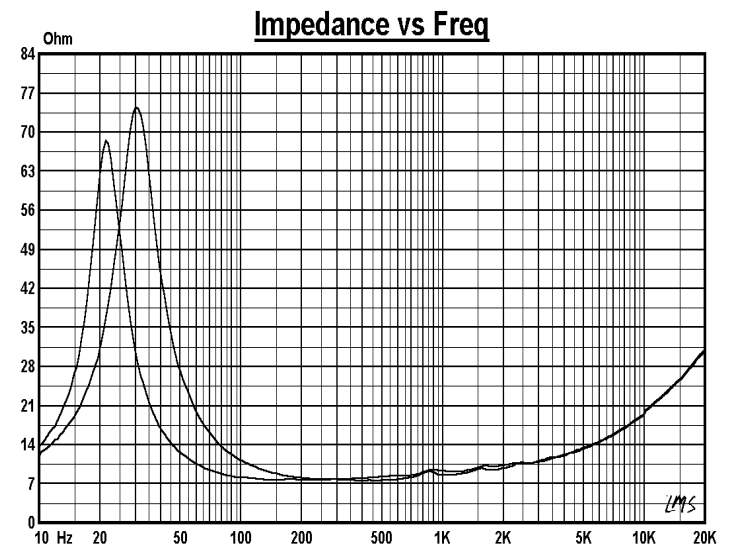
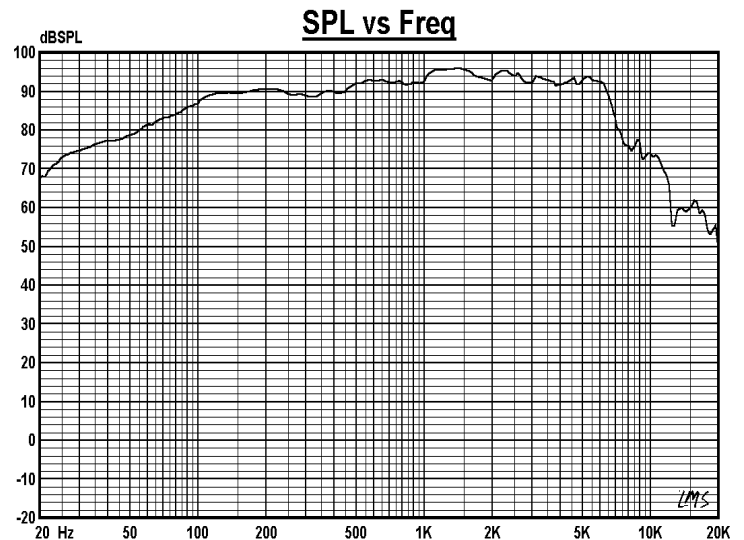
7" MID-Woofer

Model :FR179B8-11L



Specifications & Thiele/Small Parameter

Impedance	: 8 Ohm
Minimum Frequency Response	: 30Hz
Reproduction Frequency Response	: Fo~7K
S.P.L.	: 91.519 dB/W(m)
Rated Input	: 20 W
Music Power	: 30 W
Equivalent Diaphragm Radius	: 63 mm
Equivalent Mass	: 11.728 g
Magnet Weight	: 590g
Net Weight	: 1850 g
Fs	: 30.452Hz
Re	: 6.2 Ohm
Mms	: 12.88 g
BL	: 8.094TM
Qts	: 0.212
Qms	: 2.379
Qes	: 0.233
Vas	: 76.13Ltr
Xmax	: 3 mm
no	: 0.891%
Material	Frame : Cast
	Cone : Wooden
	Surround : RUBBER
	Damper : CONEX
	VC DIA : 1.4"
Magnet	: 20.9 OZ



OEM & ODM WELCOME

GUI-SOUND ELECTRONICS INDUSTRIAL CO.,LTD

<http://www.gui-sound.com> E-mail: sales@gui-sound.com