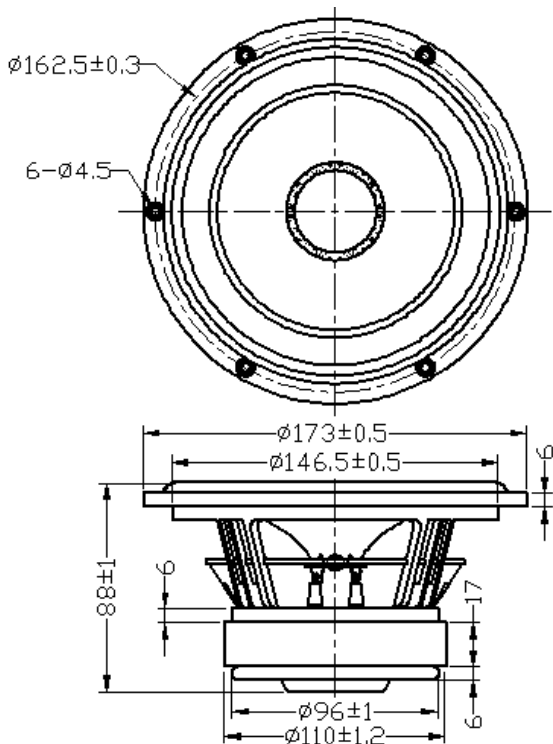


# 6.5" MID-Woofer

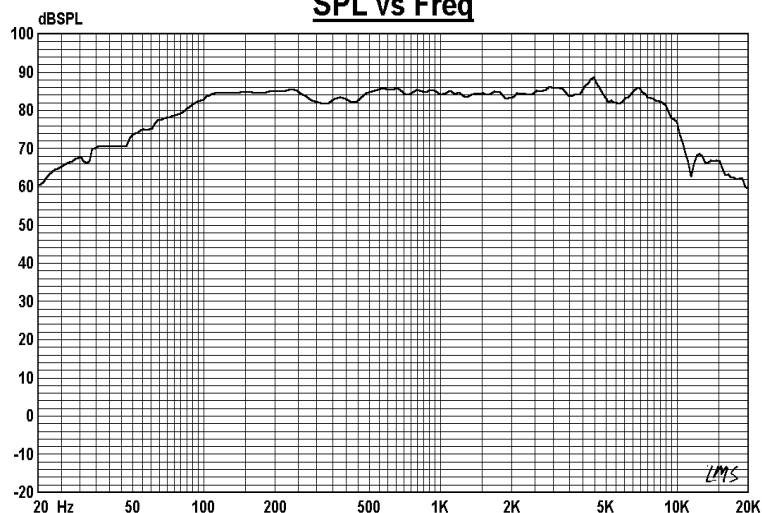
Model :FR173B4-20L



## Specifications & Thiele/Small Parameters

Impedance	: 4 Ohm
Minimum Frequency Response	: 38Hz
Reproduction Frequency Response	: Fo~10K
S.P.L.	: 88.228dB/W(m)
Rated Input	: 20 W
Music Power	: 30 W
Equivalent Diaphragm Radius	: 65 mm
Equivalent Mass	: 16.192g
Magnet Weight	: 560 g
Net Weight	: 2095g
Fs	: 38.018Hz
Re	: 3.6 Ohm
Mms	: 17.035g
BL	: 6.883 TM
Qts	: 0.257
Qms	: 1.508
Qes	: 0.309
Vas	: 24.311Ltr
Xmax	: 6 mm
no	: 0.418%
Material	Frame : AL
	Cone : PAPER COATING
	Surround : RUBBER
	Damper : CONEX
	VC DIA : 1.5"
Magnet	: 23.7 oz

SPL vs Freq



Impedance vs Freq

