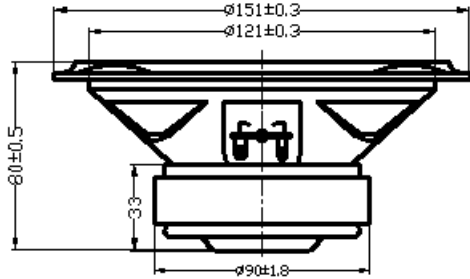
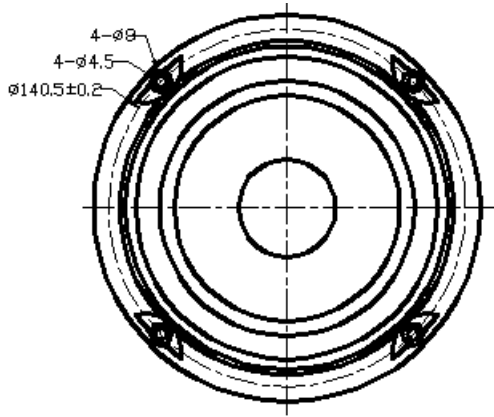


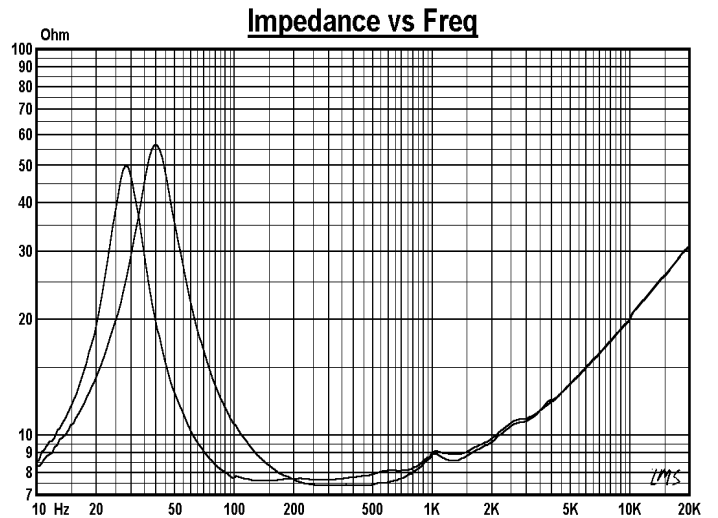
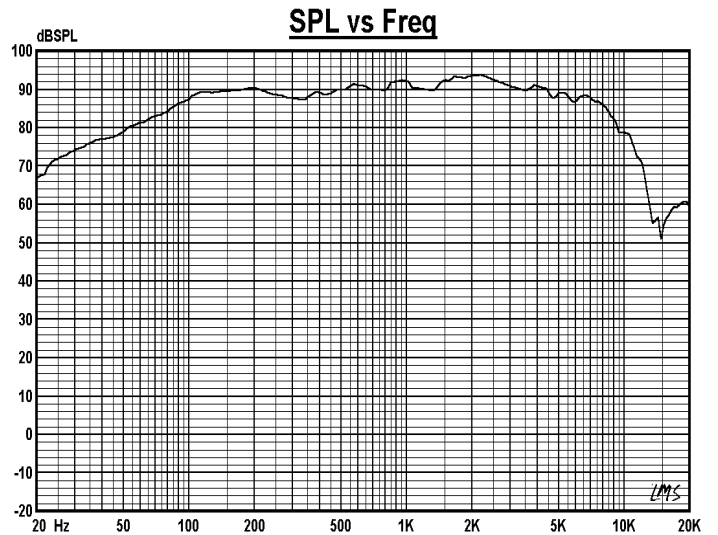
# 6" MID-Woofer

# Model :FR151B8-10L



## Specifications & Thiele/Small Parameter

Impedance	: 8 Ohm
Minimum Frequency Response	: 40Hz
Reproduction Frequency Response	: Fo~9K
S.P.L.	: 89.467 dB/W(m)
Rated Input	: 20 W
Music Power	: 30 W
Equivalent Diaphragm Radius	: 55 mm
Equivalent Mass	: 9.309 g
Magnet Weight	: 382 g
Net Weight	: 1255g
Fs	: 40.109Hz
Re	: 6.2 Ohm
Mms	: 10.075 g
BL	: 6.568 TM
Qts	: 0.321
Qms	: 2.706
Qes	: 0.365
Vas	: 32.492 Ltr
Xmax	: 3 mm
no	: 0.556%
Material	Frame : Cast
	Cone : Wooden
	Surround : RUBBER
	Damper : CONEX
	VC DIA : 1.2"
Magnet	: 13.5 oz



OEM & ODM WELCOME

GUI-SOUND ELECTRONICS INDUSTRIAL CO.,LTD

<http://www.gui-sound.com> E-mail: [sales@gui-sound.com](mailto:sales@gui-sound.com)