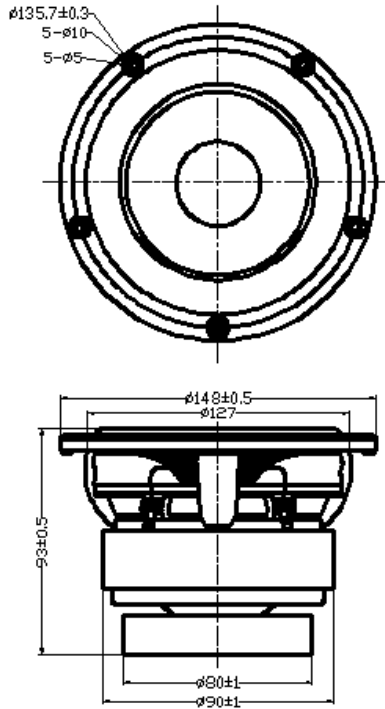


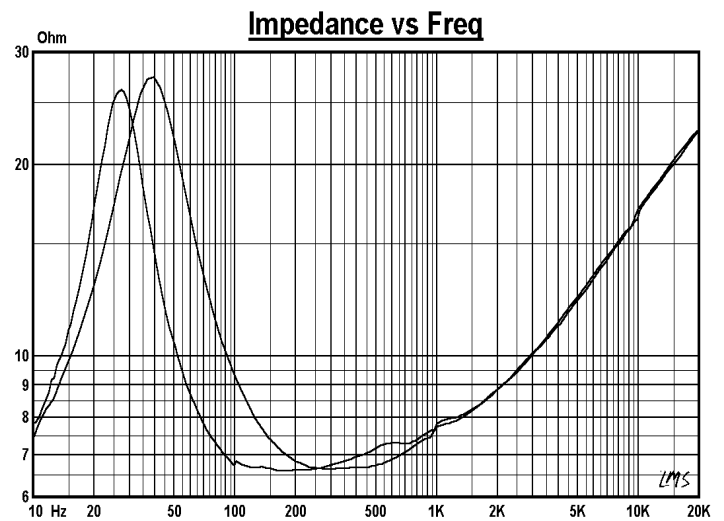
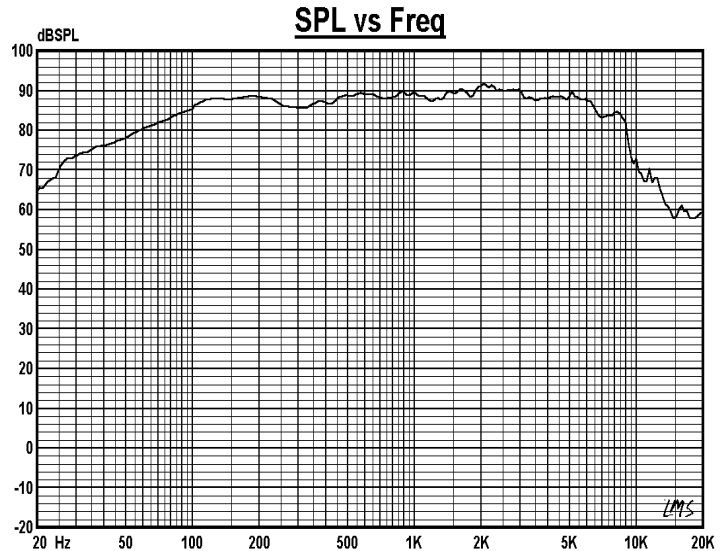
5.5" MID-Woofer

Model :FR148B6-10L



Specifications & Thiele/Small Parameters

Impedance	: 6 Ohm
Minimum Frequency Response	: 39Hz
Reproduction Frequency Response	: Fo~10K
S.P.L.	: 88.087 dB/W(m)
Rated Input	: 30 W
Music Power	: 40 W
Equivalent Diagram Radius	: 56mm
Equivalent Mass	: 12.677g
Magnet Weight	: 610 g
Net Weight	: 1460 g
Fs	: 38.569 Hz
Re	: 5.8 Ohm
Mms	: 13.519g
BL	: 6.822 TM
Qts	: 0.311
Qms	: 1.298
Qes	: 0.408
Vas	: 29.764 Ltr
Xmax	: 4mm
no	: 0.404%
Material	Frame : Cast
	Cone : Wooden
	Surround : RUBBER
	Damper : CONEX
	VC DIA : 1.2"
Magnet	: 13.5 oz 7.98 oz



OEM & ODM WELCOME

GUI-SOUND ELECTRONICS INDUSTRIAL CO.,LTD

<http://www.gui-sound.com> E-mail: sales@gui-sound.com