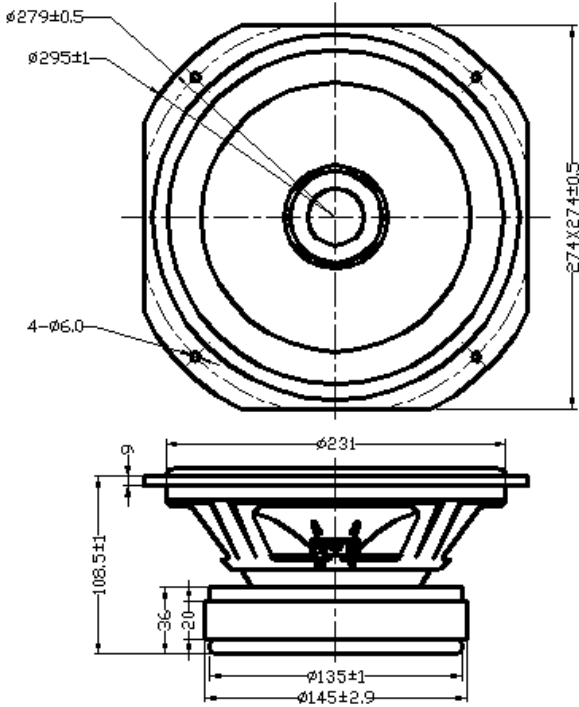


# 10" Full Range Speaker Unit

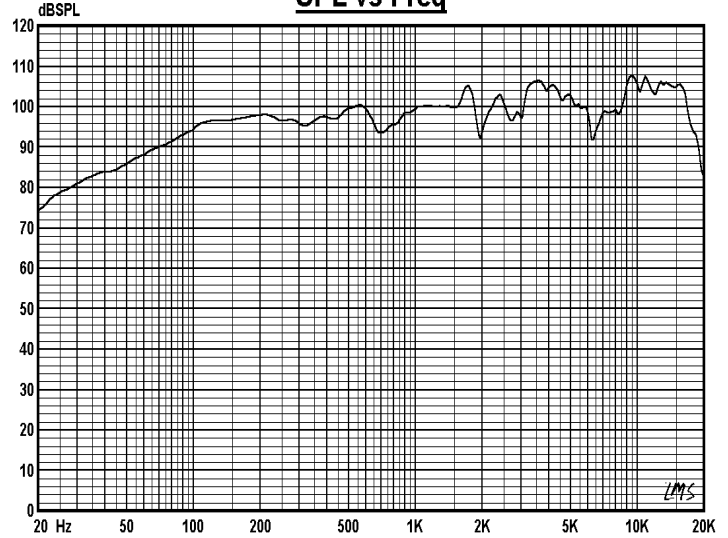
Model: FB274B8-14F



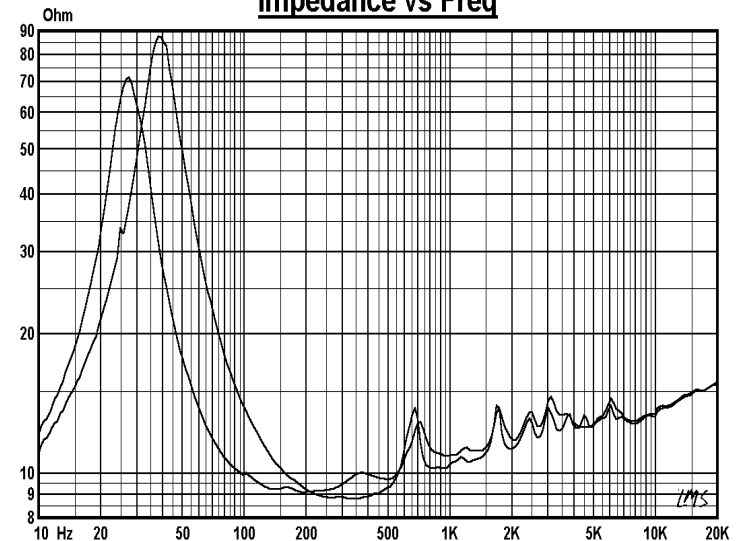
## Specifications & Thiele/Small Parameters

Impedance	: 8 Ohm
Minimum Frequency Response	: 40Hz
Reproduction Frequency Response	: Fo~18K
S.P.L.	: 96.413dB/W(m)
Rated Input	: 30 W
Music Power	: 50 W
Equivalent Diagram Radius	: 110 mm
Equivalent Mass	: 18.252g
Magnet Weight	: 1400g
Net Weight	: 3835g
Fs	: 39.256 Hz
Re	: 7.2 Ohm
Mms	: 22.082 g
BL	: 11.799 TM
Qts	: 0.258
Qms	: 3.125
Qes	: 0.282
Vas	: 132.46 Ltr
Xmax	: 1.0 mm
no	: 2.7518%
Material	Frame : Fe
	Cone : PAPER
	Surround : FABRIC
	Damper : CONEX
	VC DIA : 1.3"
Magnet	: 51.3 oz

SPL vs Freq



Impedance vs Freq



OEM & ODM WELCOME

GUI-SOUND ELECTRONICS INDUSTRIAL CO.,LTD

<http://www.gui-sound.com> E-mail: [sales@gui-sound.com](mailto:sales@gui-sound.com)