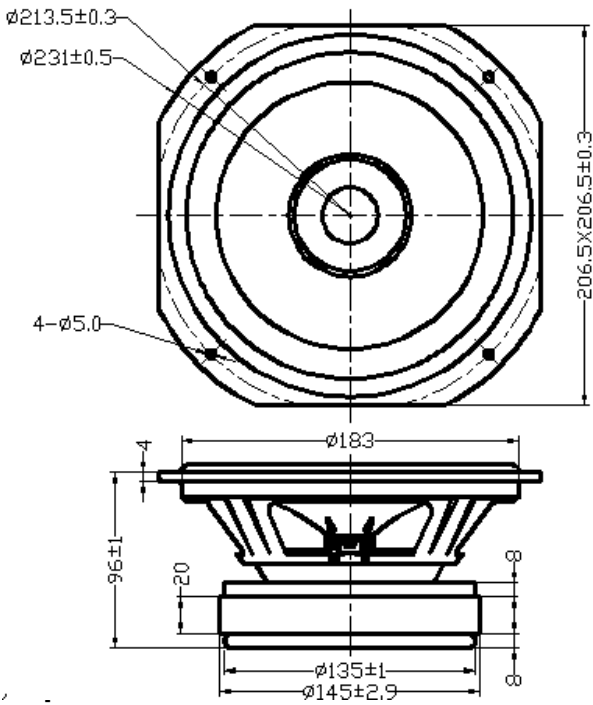


# 8" Full Range Speaker

Model : FB208B8-26F

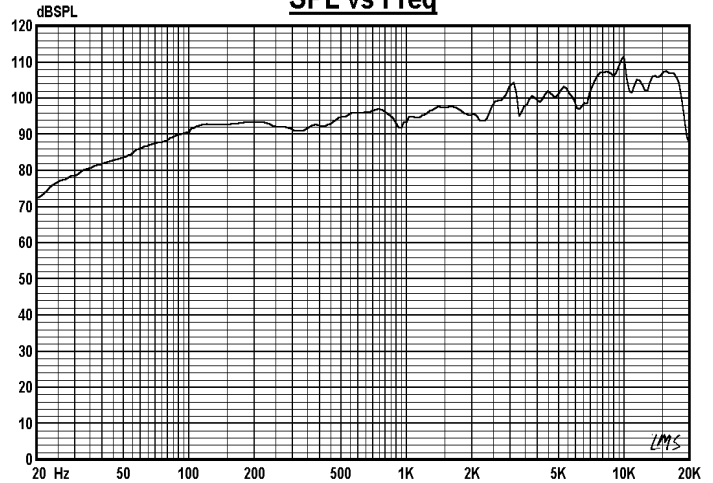


&

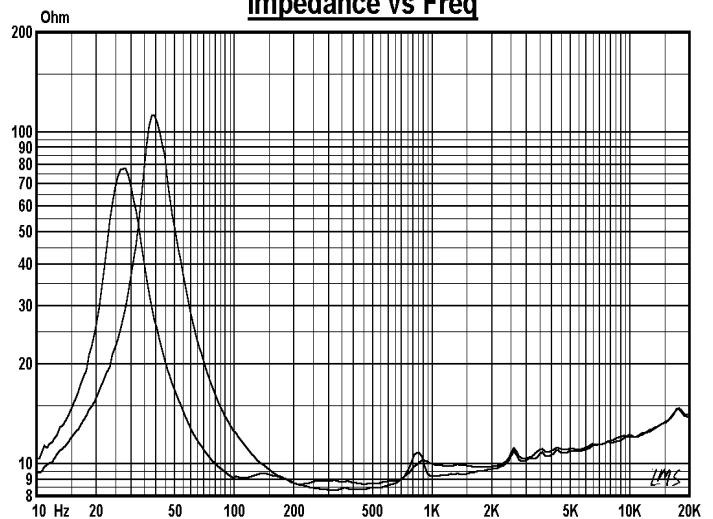
## Thiele/Small Parameters

Impedance	: 8 Ohm
Minimum Frequency Response	: 40Hz
Reproduction Frequency Response	: Fo~20K
S.P.L.	: 95.886dB/W(m)
Rated Input	: 30 W
Music Power	: 50 W
Equivalent Diaphragm Radius	: 88 mm
Equivalent Mass	: 9.249g
Magnet Weight	: 1400g
Net Weight	: 3540g
Fs	: 40.558Hz
Re	: 7.2 Ohm
Mms	: 10.974 g
BL	: 7.594 TM
Qts	: 0.326
Qms	: 5.002
Qes	: 0.349
Vas	: 86.207Ltr
Xmax	: 1.0 mm
no	: 1.60 %
Material	Frame : Fe
	Cone : PAPER
	Surround : FABRIC
	Damper : CONEX
	VC DIA : 1.3"
	Magnet : 51.3 oz

**SPL vs Freq**



**Impedance vs Freq**



OEM & ODM WELCOME

GUI-SOUND ELECTRONICS INDUSTRIAL CO., LTD

<http://www.gui-sound.com> E-mail: [sales@gui-sound.com](mailto:sales@gui-sound.com)