

Fostex®

FULL RANGE SPEAKER UNIT

FE126E

Features

- 'ES cone' paper made of banana plant's fiber
- Newly designed center cap
- ø100mm large ferrite magnet
- Well tuned Qts value for back loaded horn enclosure

Specifications

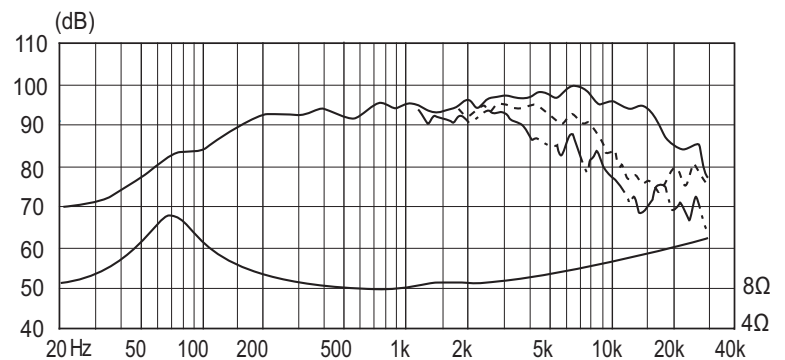
&

Thiele/Small Parameters

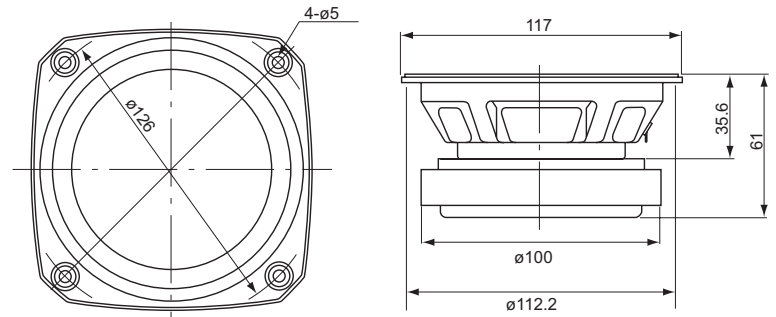
Size	:	120 mm / 5 in
Voice Coil Diameter	:	20 mm / 1 in
Cast / Stamped	:	Stamped
Impedance	:	8 Ω
Reproduction Frequency Response	:	fs - 25 kHz
Sound Pressure Level	:	93 dB/W(m)
Rated Input	:	15 W
Music Power	:	45 W
Magnet Material	:	Ferrite
Magnet Weight	:	
(main)	:	440 g / 0.970 lb
(cancel)	:	n/a g / n/a lb
Net Weight	:	1,010 g / 2.227 lb



Frequency Response / Impedance



Dimensions & Mounting Information



a	:	46 mm
Sd	:	0.0065 m ²
Zn	:	8 Ω
Fs	:	70 Hz
Re	:	6.9 Ω
Le	:	0.0034 mH
Qms	:	2.96
Qes	:	0.27
Qts	:	0.25
Mms	:	2.9 g
BL	:	5.92 Telsa/m
Vas	:	9.95 L
Xmax	:	0.35 mm
Eff/η0	:	1.374 %
Cms	:	0.0017 mm/N
EBP	:	259.26

Overall Diameter	:	142 mm / 6 in
Baffle Hole Diameter	:	104 mm / 4 in
Depth	:	61 mm / 2 in