

# 27mm Size Metal Shaft Potentiometer

RK27 Series

High-grade potentiometer featuring good control feel and superior features.

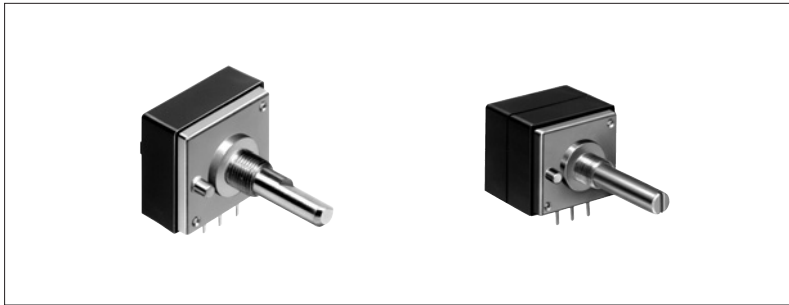
Rotary Potentiometers

Slide Potentiometers

Trimmer Potentiometers

Multi Control Devices

Position Sensors



Metal Shaft

Insulated Shaft

Knob Operating

## Features

- These high-grade potentiometers offers comfortable operation and possess high precision features (gang error, resistance taper, etc.), ideal for audio applications.

## Applications

- Level controls for high-grade audio sets.
- Controls for audio mixing console.

## Typical Specifications

Items	Specifications
Total resistance tolerance	$\pm 20\%$
Maximum operating voltage	30V AC
Total rotational angle	$300 \pm 3^\circ$
Rotational torque	5 to 35 mN·m
Operating life	15,000 cycles
Operating temperature range	$-10^\circ\text{C}$ to $+70^\circ\text{C}$

## Recommended Products List

Number of resistor elements	Mounting direction	Products No.	Shaft type	Length of the shaft (mm)	Center detent	Total resistance (k $\Omega$ )	Resistance taper	Minimum packing unit (pcs.)	Drawing No.								
Single-unit	Horizontal type	RK2711120026	Slotted	25	31	100	15A	100	1								
		RK271111001T			Without												
RK27112A00AK		20															
Dual-unit		RK27112A00CC	25	Flat	20				Without	100	15A	100	2				
		RK27112A0A16	20		25								Without	100	15A	100	3
		RK27112A00B9	25														

## Note

Additional product specifications in response to those not included in the above recommended products are also available. For inquiries, contact our Sales Department.

For product specifications, see P.39  
For other detailed specifications, see P.48, 49

# Product Specifications

In addition to the recommended products, the following specifications can also be accommodated.

## Products Specification

Type	Model	Mounting height (mm)	Detent variety	Gang error
Single-shaft, single-unit	RK27111	12.5	Center 11 21 31 41	—60dB to 0dB within 3dB —80dB to —60dB within 5dB possible depending on total resistance and taper.
Single-shaft, dual-unit	RK27112			
Single-shaft, quad-unit	RK27114			

## Total Resistance Variety

Total resistance (kΩ)	10	20	50	100	250

## Resistance Taper

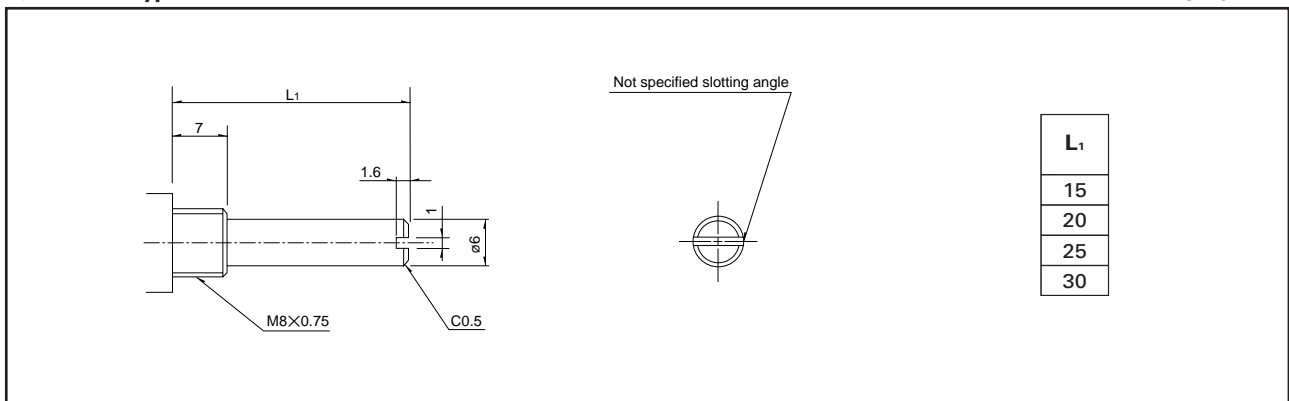
Resistance taper	15A	3B

## Dimensions of Shaft

### 1. Single-shaft type

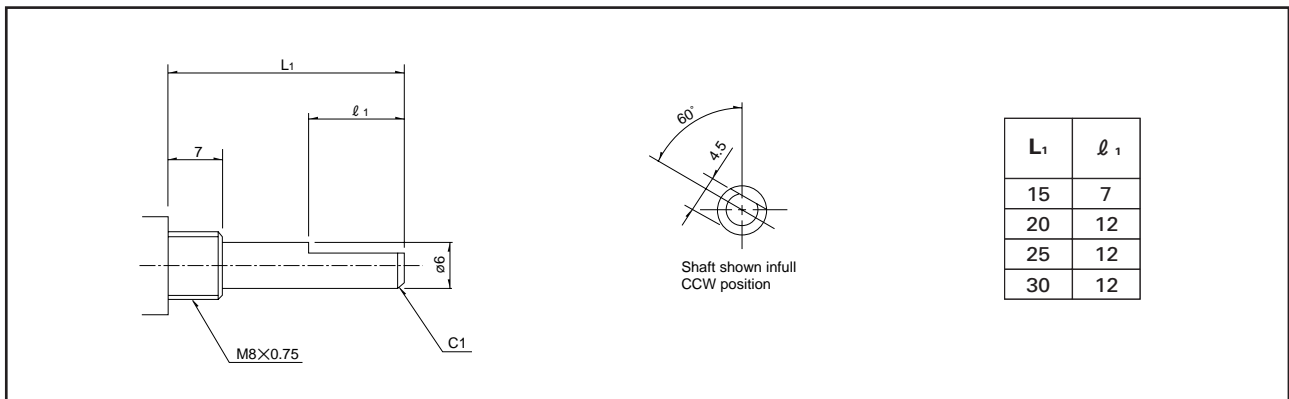
#### 1) Slotted type

Unit : mm



#### 2) Flat type

Unit : mm

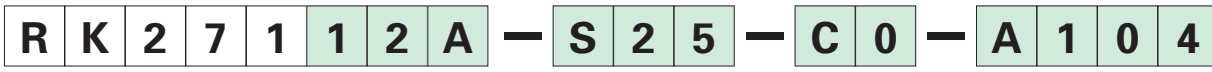


For resistance taper, see P.40, 218

## Orders other than for recommended products

Specify orders for varieties that are not listed in the Recommended Product List, referring to the following example.

### Sample parts number



#### Model type

Code	Model type
111	Single unit
12A	Dual unit for vol.

#### Shaft type

Code	Shaft type
F	Flat
S	Slotted

#### Length of the shaft (L1) (mm)

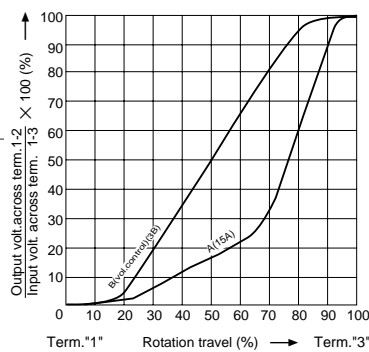
Code	Length of the shaft	Code	Length of the shaft
15	15	25	25
20	20	30	30

#### Detent

Code	Detent	Code	Detent
C0	without	31	31
21	21	41	41

#### Resistance taper

Code	Resistance taper
A	15A
V	3B



#### Total resistance

Code	Total resistance (kΩ)	Code	Total resistance (kΩ)
502	5	503	50
103	10	104	100
203	20	254	250

### Note

Shows the specification recommended by us.

Rotary Potentiometers

Slide Potentiometers

Trimmer Potentiometers

Multi Control Devices

Position Sensors

Metal Shaft

Insulated Shaft

Knob Operating

