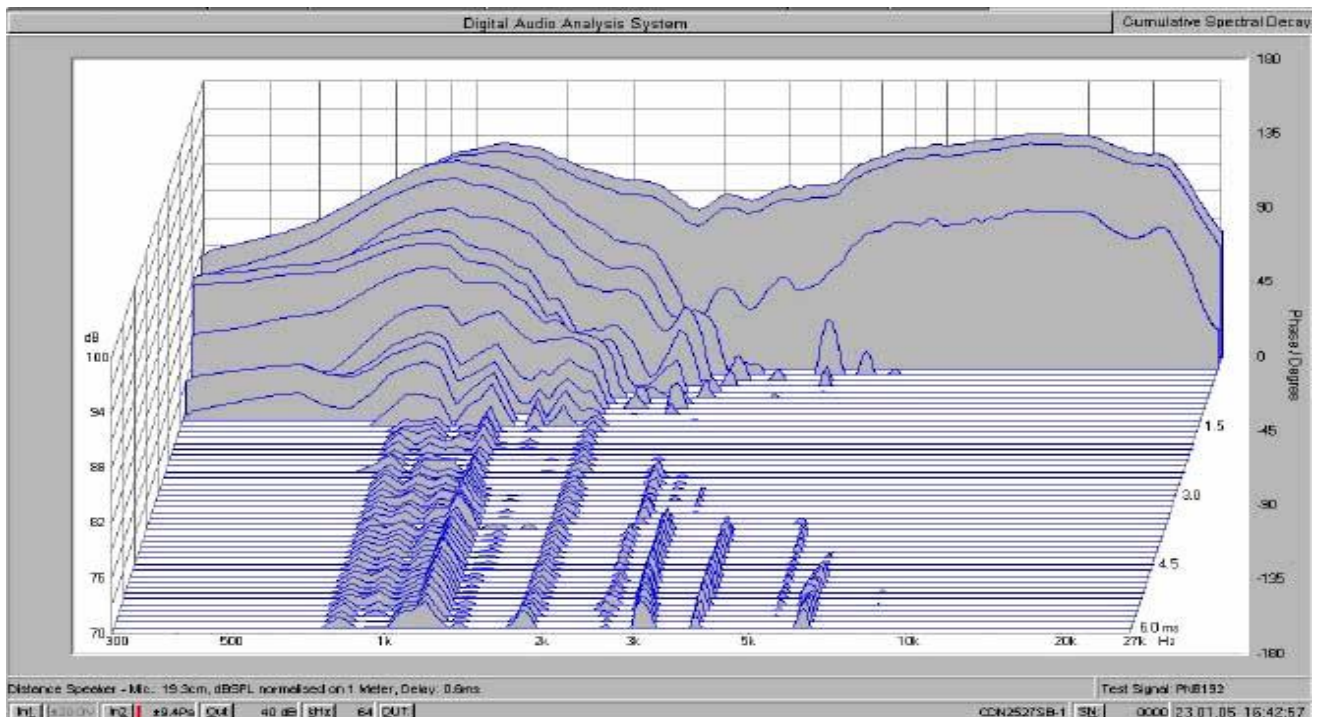
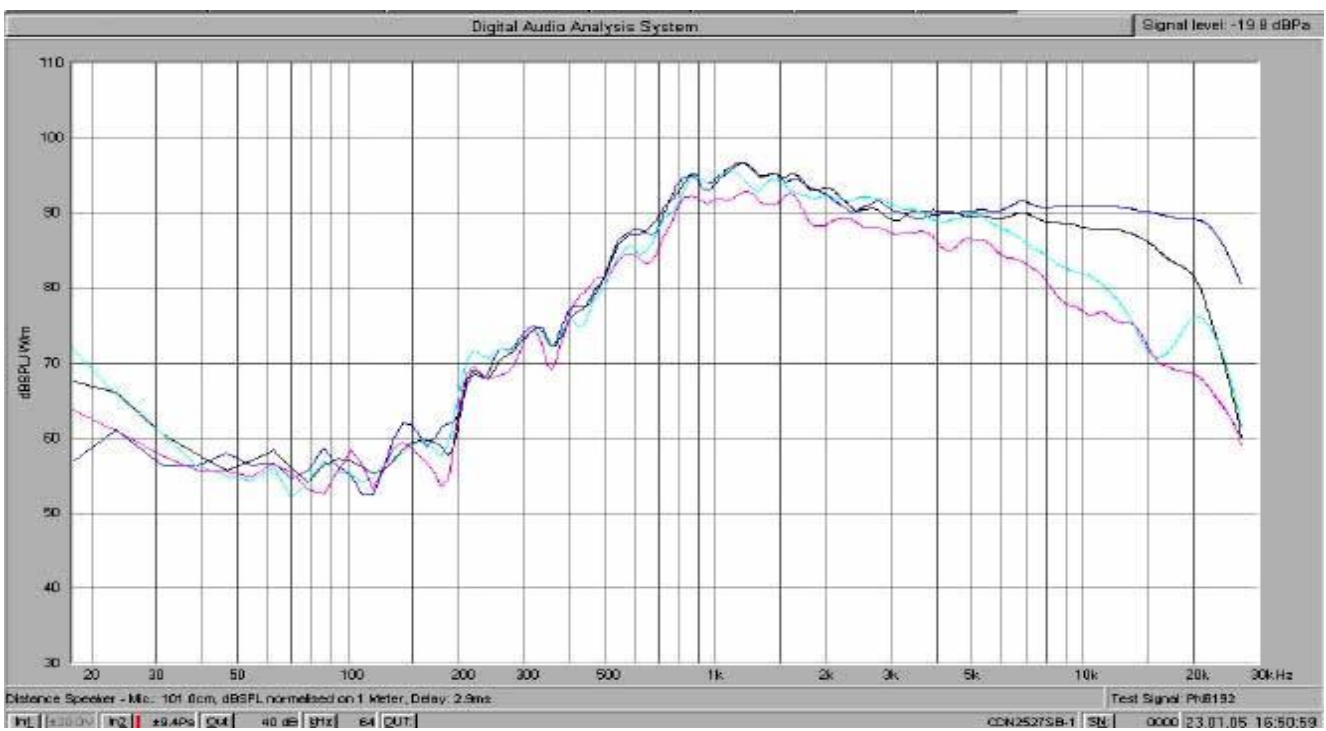
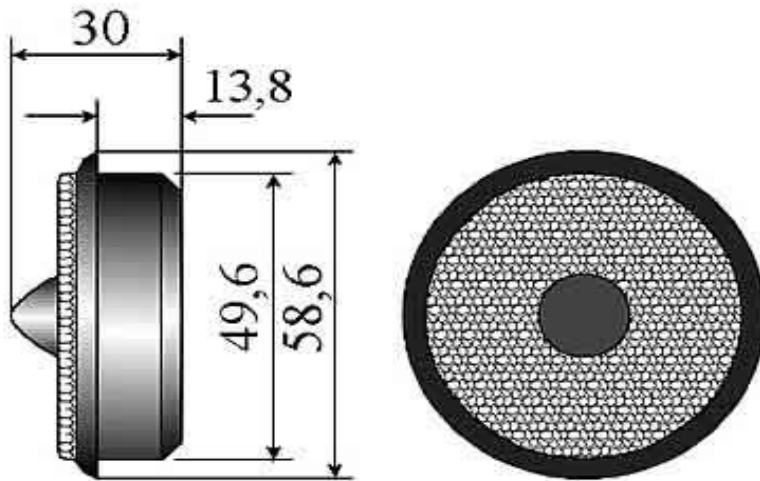
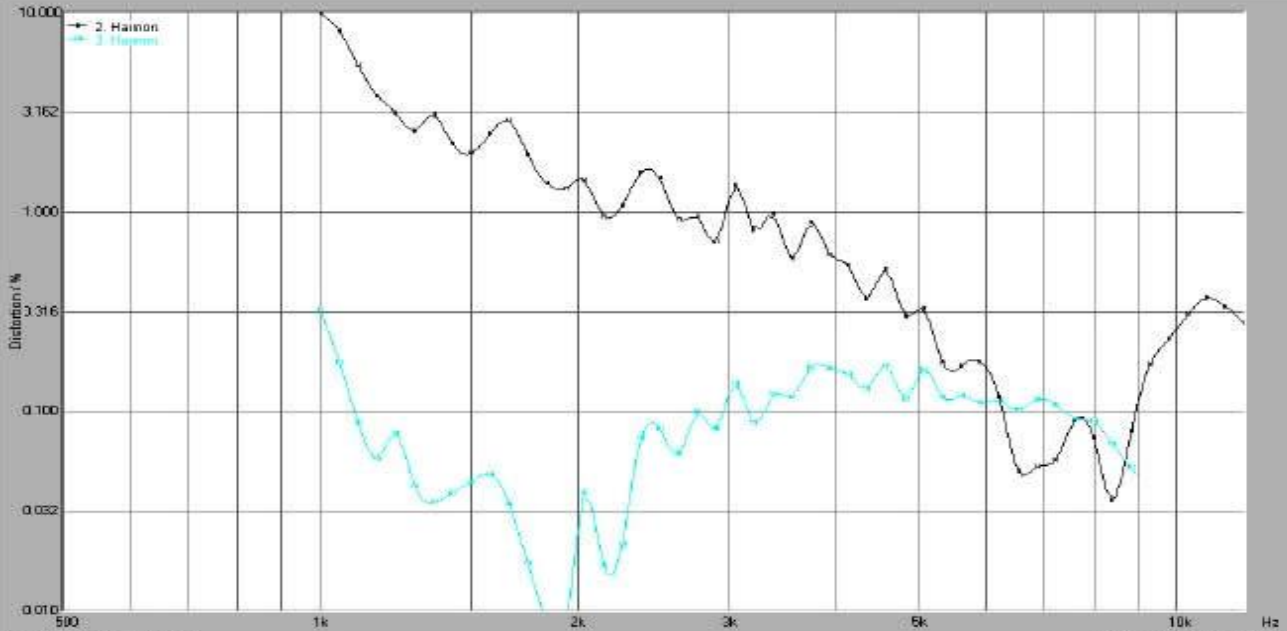


RRM-150 Ringradiator

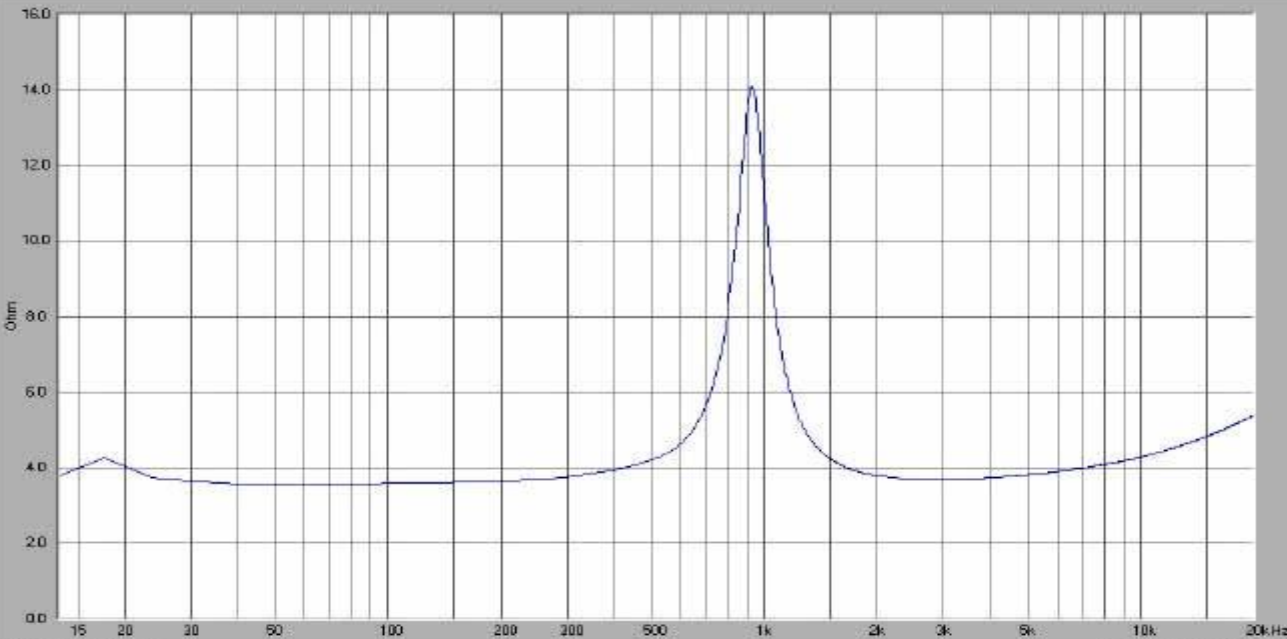


Digital Audio Analysis System



FFT-len: 16384 Pt, Averages: 1 Test freq.: 50, 1000-12000 Hz
[IN1] [400.0V] [IN2] [+9.4Pa] [OUT] 33 dB [8Hz] 64 [OUT] CON2527SB-1 [SN] 0000 [23.01.05 16:53:07]

Digital Audio Analysis System



Serial Resistor: 270.0 Ohm Test Signal: SINEP
[IN1] [+2.0V] [IN2] [+9.4Pa] [OUT] 20 dB [8Hz] 48 [OUT] NoName [SN] 0000 [23.01.05 16:45:56]