

Peerless Premium Line PL11WG09-08 4.5" Paper Cone Mid/Woofer



The Peerless premium line of drivers uses special cone cuts near the surround to reduce edge resonance problems. This is why the drivers have a nice roll off on the top end instead of a peak. This batch is from a special purchase and we will not have access to more once they are gone. The PL continues to be offered by Scan-speak as the new Discovery line with fiberglass cones.

Non-resonant treated paper cone (edge cone cuts)

Rubber surround

Very smooth response from 69Hz to 9kHz

Rigid cast magnesium frame

3mm x-max peak excursion

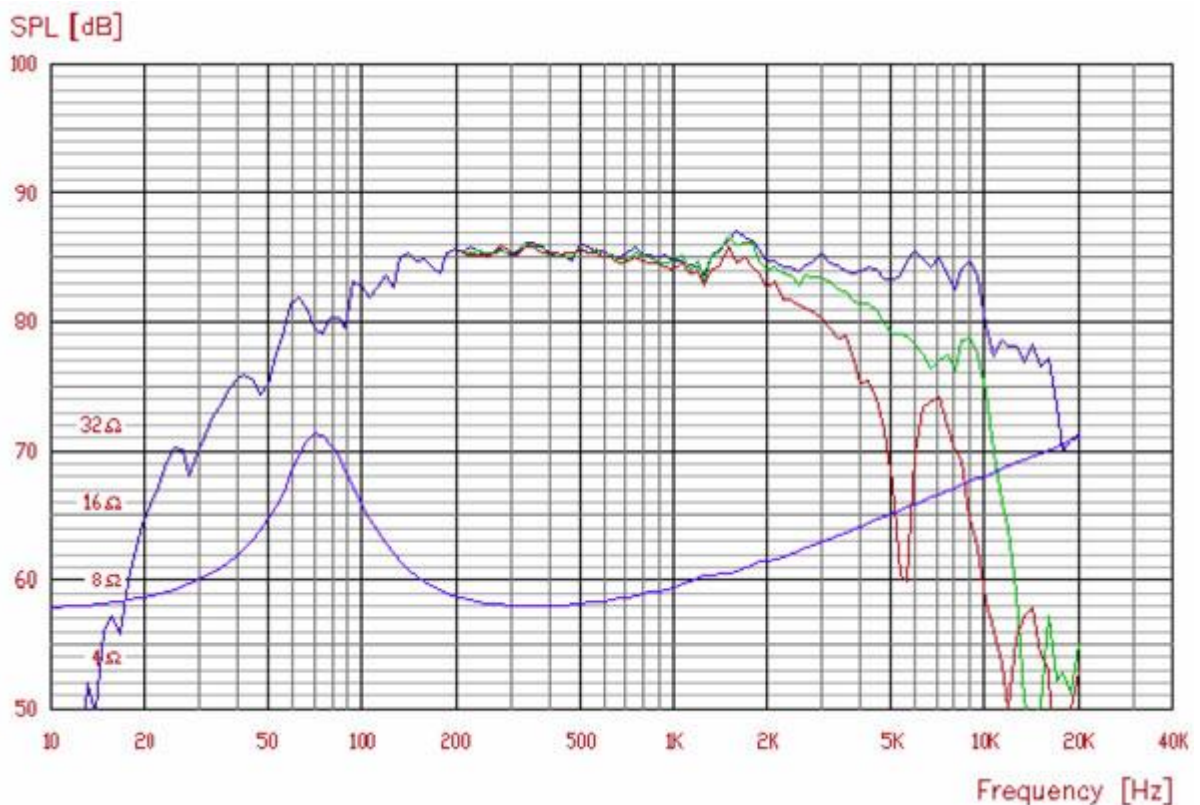
Gold plated terminals

Vented back plate

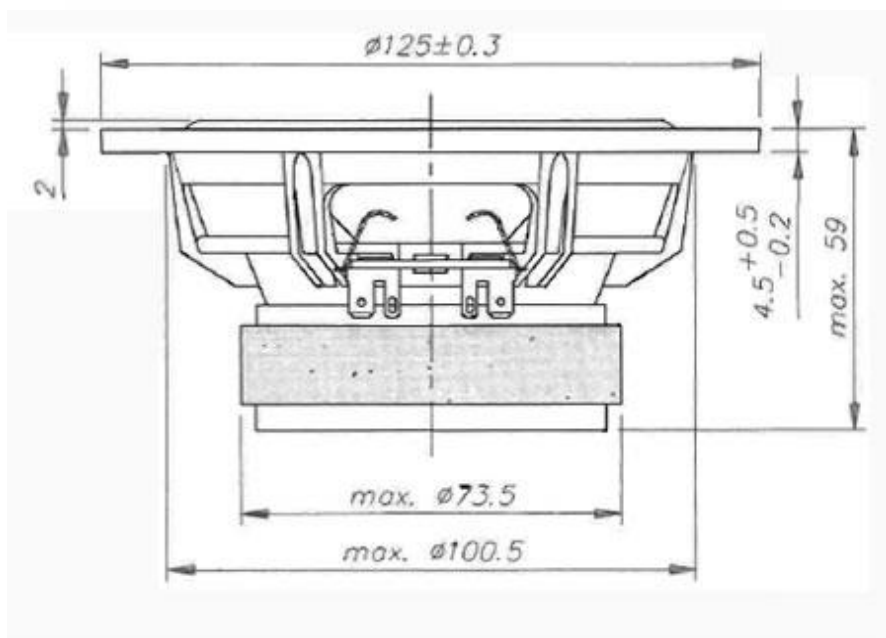
Try the PL11WG09-08 in a 0.08 cubic foot sealed box for an f3 of about 125Hz.

In a vented box of 0.2 cubic foot with a 1" vent by 2.5" long your f3 is about 65Hz.

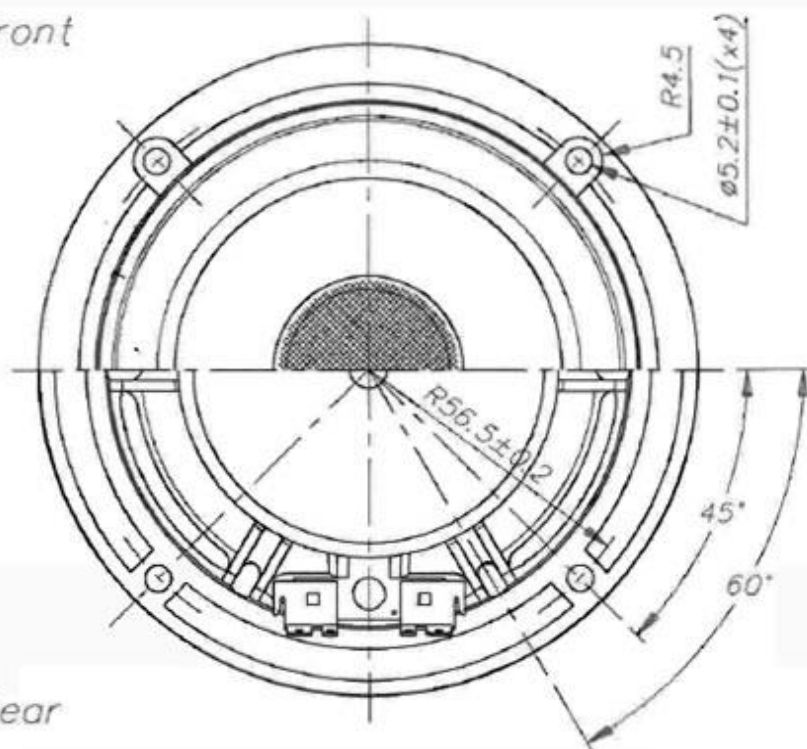
Power handling in this box is about 30 watts.



Nominal impedance [ohm]	8
Voice coil resistance [ohm]	5.6
Nominal power [W]	35
Short term max power [W]	140
Long term max power [W]	80
Operating power [W]	12.6
Sensitivity [dB]	85
Frequency range [Hz]	70-5000
Free air resonance [Hz]	69
Voice coil diameter [mm]	25
Voice coil height [mm]	10
Air gap height [mm]	4
Voice coil inductance [mH]	0.61
Eff. diaphragm Area [cm ²]	58
Moving mass [g]	5.9
Magnet weight [g]/[oz]	240/8.5
Force factor [Bl]	4.9
VAS [l]	4.25
Qms	2.20
Qes	0.60
Qts	0.47



Front



Rear

